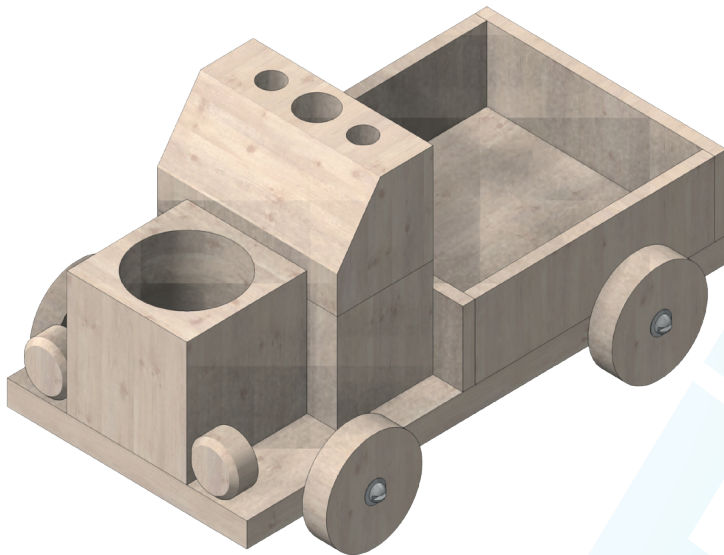


101.670

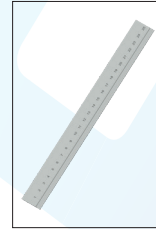
# Note Express



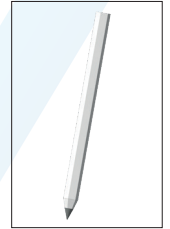
## Tools required:



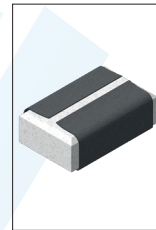
Wood glue



Ruler



Pencil



Sandpaper

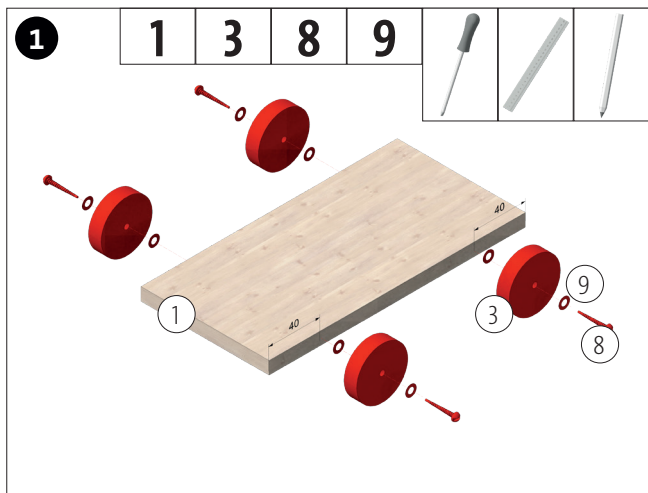


Screwdriver

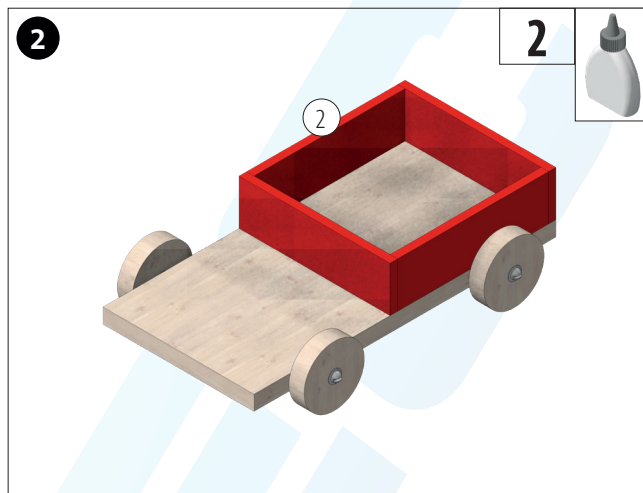
### NOTE:

The OPITEC range of projects is not intended as play toys for young children. They are teaching aids for young people learning the skills of Craft, Design and Technology. These projects should only be undertaken and tested with the guidance of a fully qualified adult. The finished projects are not suitable to give to children under 3 years old. Some parts can be swallowed. Danger of suffocation! Not suitable for children under 36 months. Choking hazard!

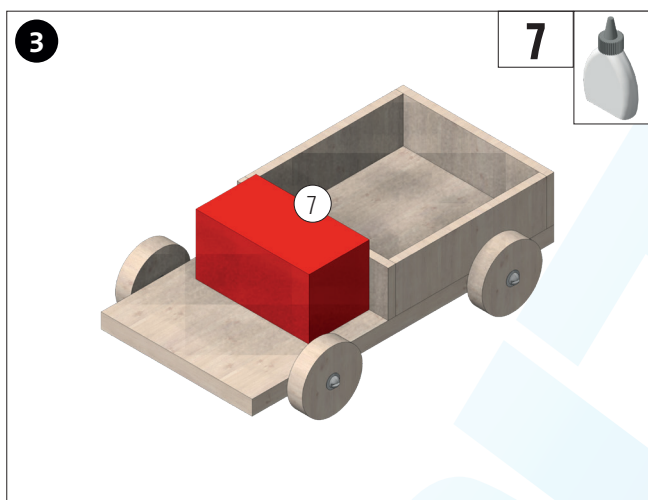
Part List	Quantity	Dimensions (mm)	Description	Part no.
Wooden board	1	200x100x10	Base plate	1
Wooden strip	4	100x30x5	Drop sides	2
Wooden wheel	4	ø40x10	Wheels	3
Wooden wheel	2	ø20x10	Lights	4
Wooden cube with hole	1	50x50x50	Engine block	5
Wooden moulding with hole and bevel	1	75x40x40	Driver's cab upper section	6
Wooden strip	1	75x40x40	Driver's cab lower section	7
Screw	4	ø2.9x25	Fastening	8
Washer	8	ø7 / ø3.2	Washer	9



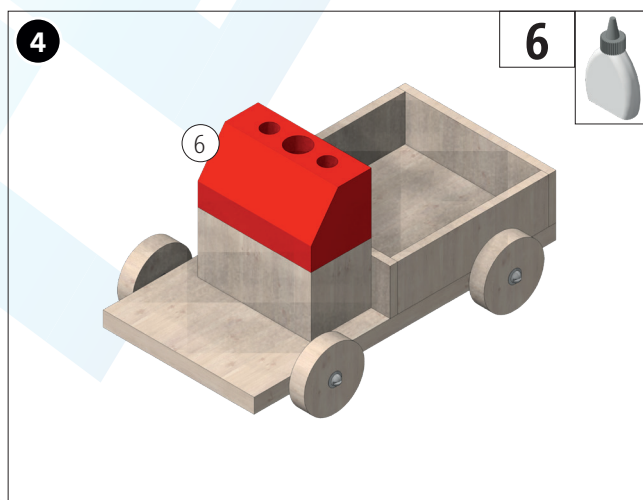
Attach the wooden wheels (3) to the base plate (1) as shown above.  
**NOTE:** Only tighten the screws so firmly that the wheels can still be turned.



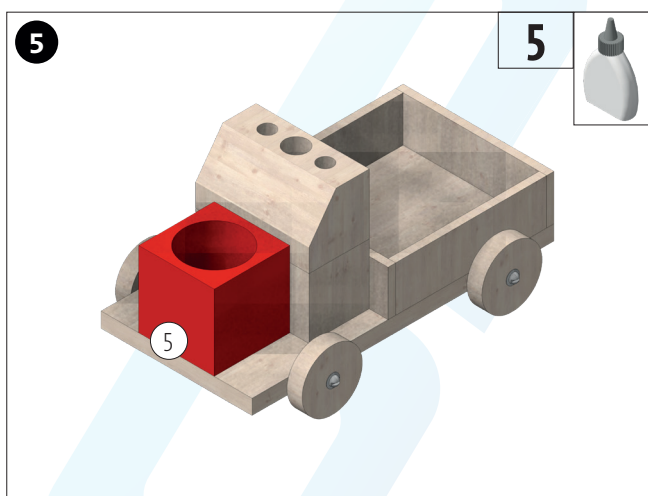
Glue on the drop sides (2) as shown.



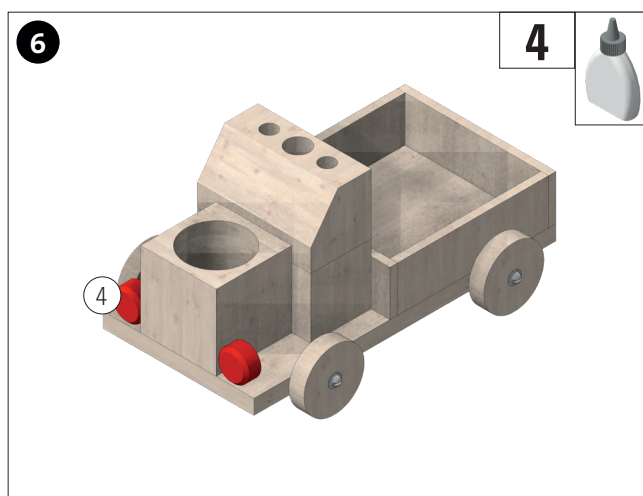
Glue on the lower part (7) of the driver's cab centred.



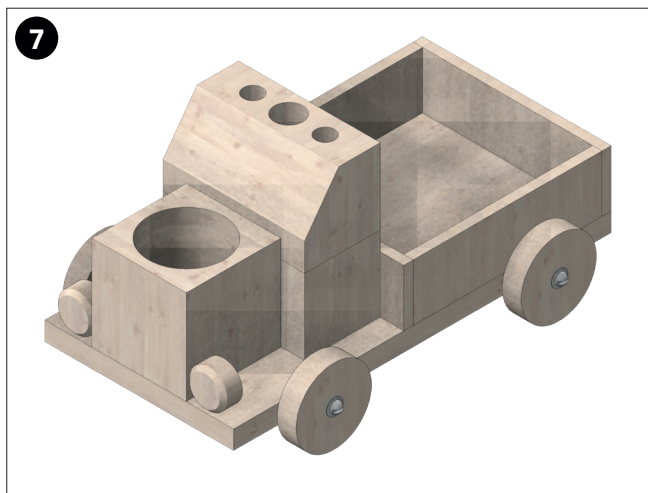
Glue the drilled upper part of the cab onto the lower part (7).



Then glue on the motor block (5), centred.



Glue the two headlights (4) to the engine block (5) and the base plate (4) from both sides as shown.



DONE!